



Our application area

- roller plant composition
 - synthetic and rubber engines
 - industrial power plants
 - nuclear power plants
 - refinery and oil processing
 - oil and gas firing
 - protective gas producers
 - power machines
 - textile machines and industry
 - machine technology and process engineering
- machines
 - industrial furnaces
 - vessel factories
 - power plants
 - creameries
 - turbines
 - chemical industry
 - pharmacy
 - clean room technics
 - cryo technics
 - fuel applications
 - food industry
 - sugar factories
 - water conditioning
 - scheduling companies
 - pumps and compressors
 - building material machines
 - vulcanizing machines
 - energy-supplying enterprises ...

Selection of
our customers and
custmaized products



Certificates and acceptance

Technical regulation
for fabrication

- DGRL 97/23/EG
- ASME Code
- TRD (old plant)
- AD 2000
- EN-Standards



TA Luft



KTA 1401



Gost-Certificate



DGRL 97/23/EG



DIBT Zulassung



Qualitätsmanagement
DIN ISO 9001:2000



AD-2000 HP0

From the idea...



... to the product

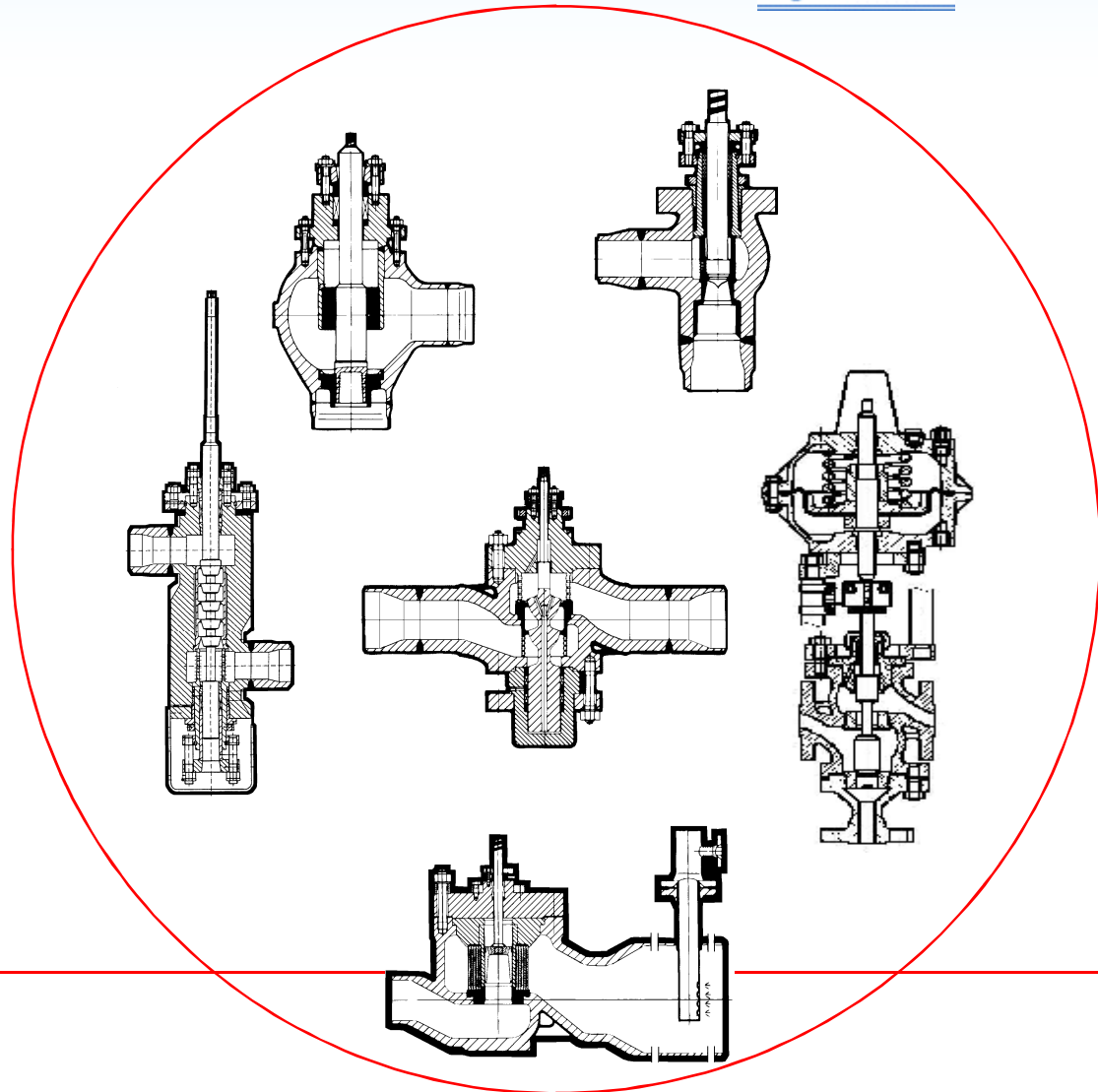
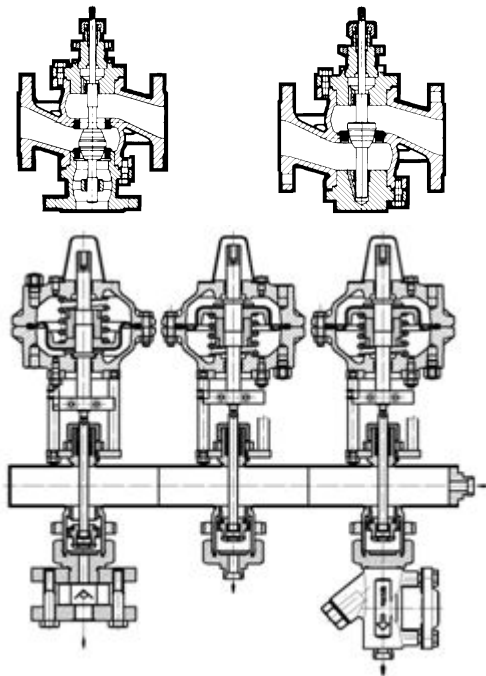


Daume Regelarmaturen GmbH

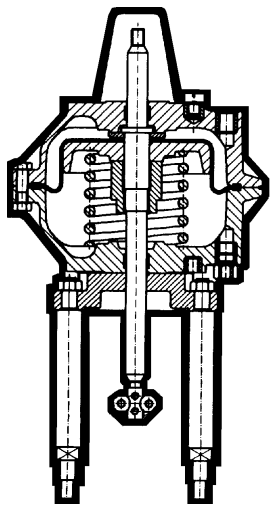
Daume Regelarmaturen GmbH is a medium sized company. The core competence of the company is design, development, construction and production of customized valves. In addition to standardized products we are also focused on special purpose solutions and their constructions. The company is family owned and produce control valves since 1947.



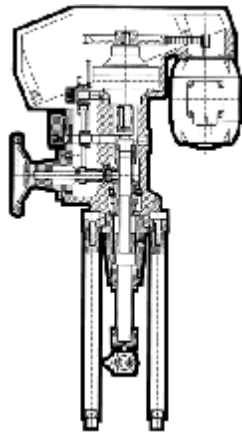
Our constructions
control valves



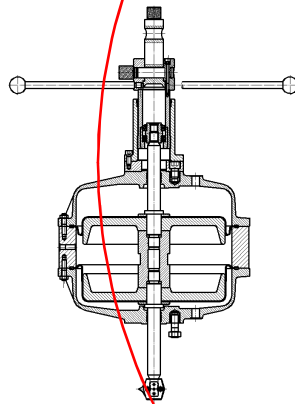
Our constructions actuators



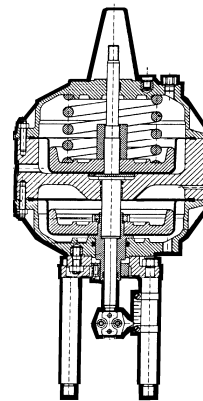
diaphragm actuator



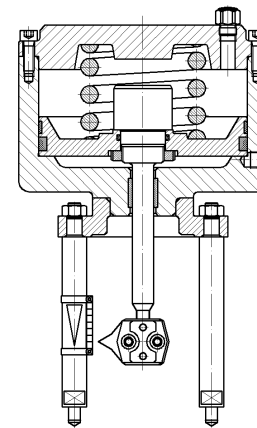
electrical single
phase actuator



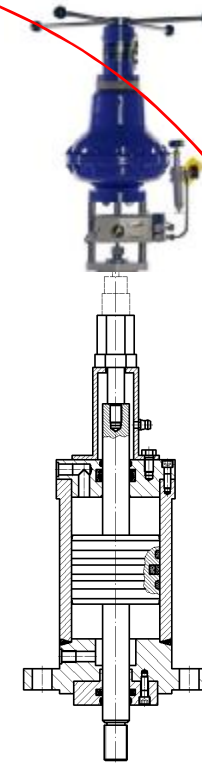
diaphragm actuator
with manual control



diaphragm actuator
double acting



pneumatic
piston actuator



hydraulic
actuator

Manufacture, mounting
and test



mounting



service



cleanroom



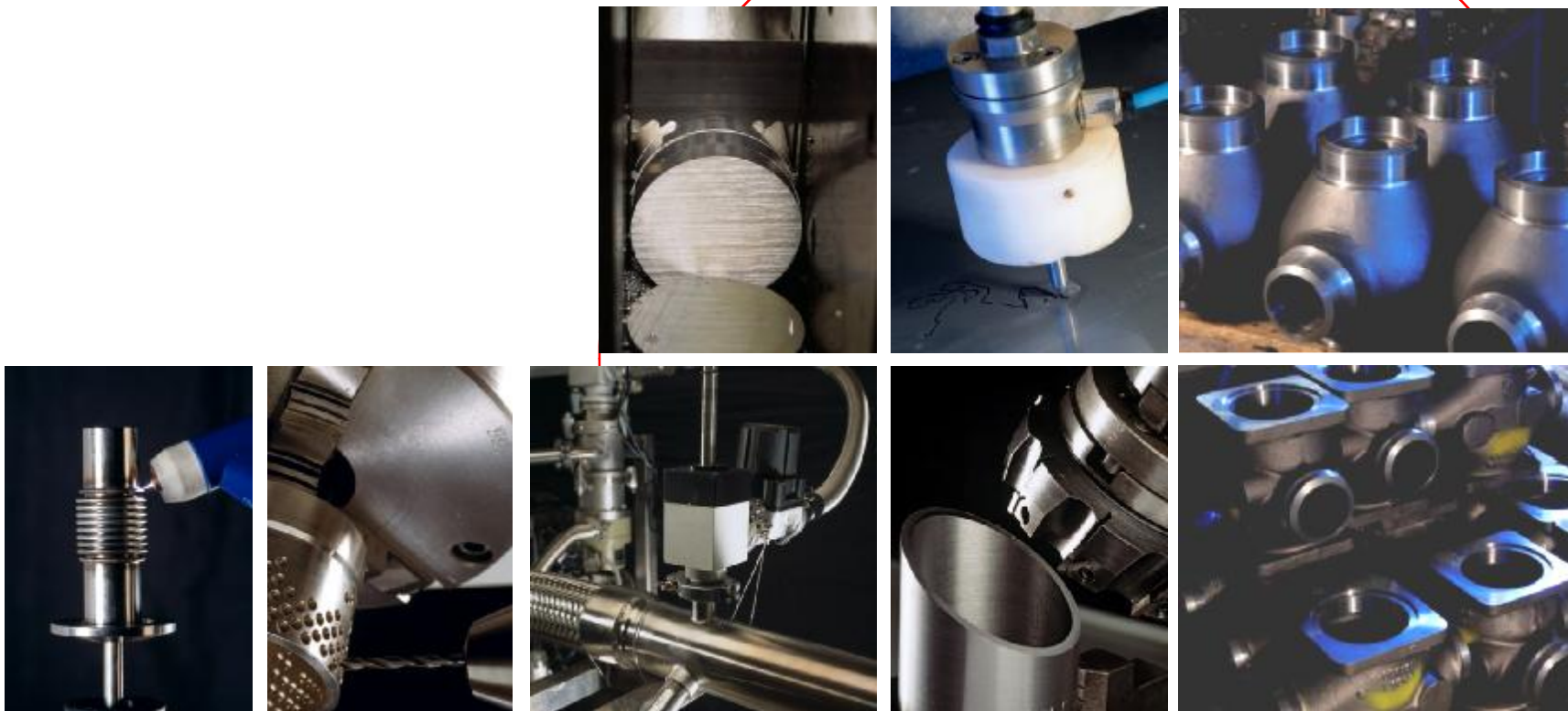
overhauling



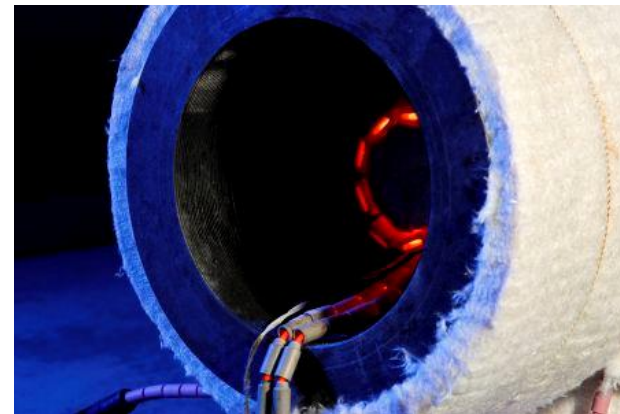
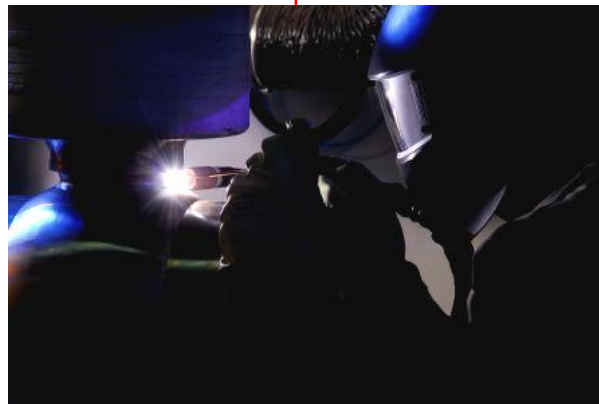
manufacture



Virtual walkabout
manufacturing

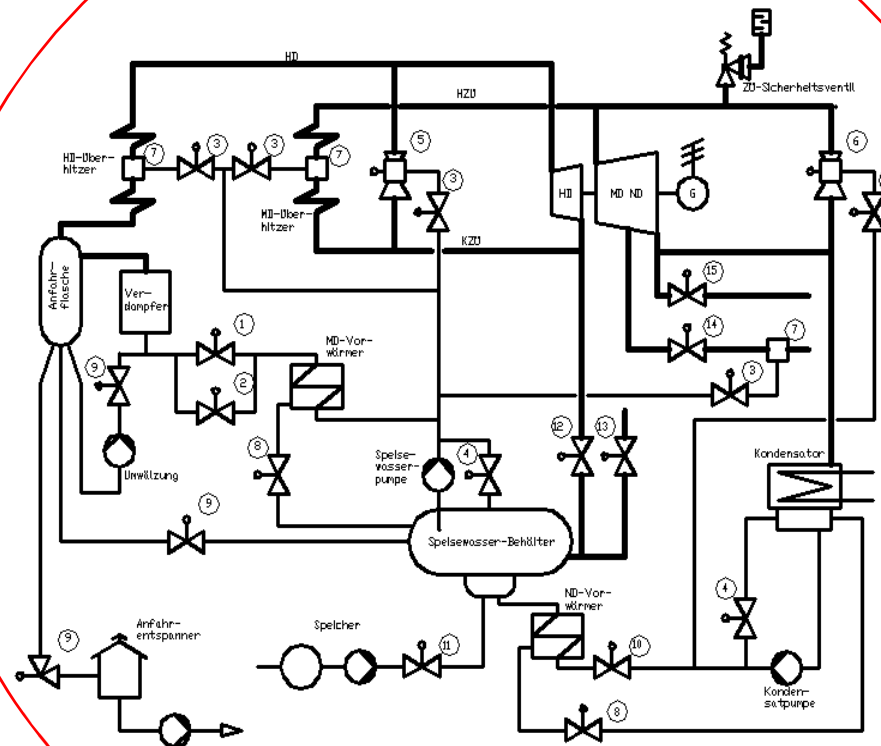


Virtual walkabout
welding and annealing



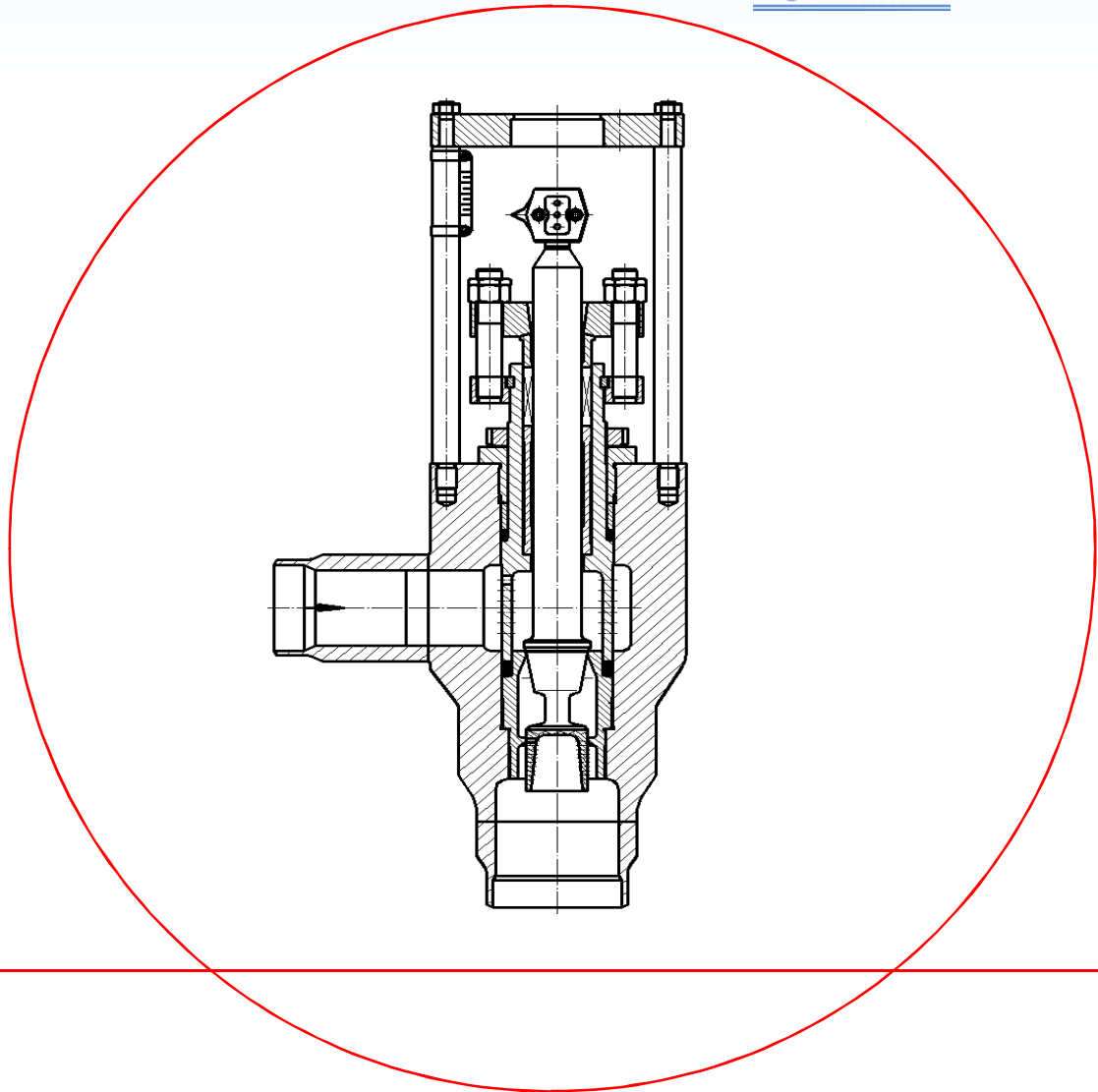
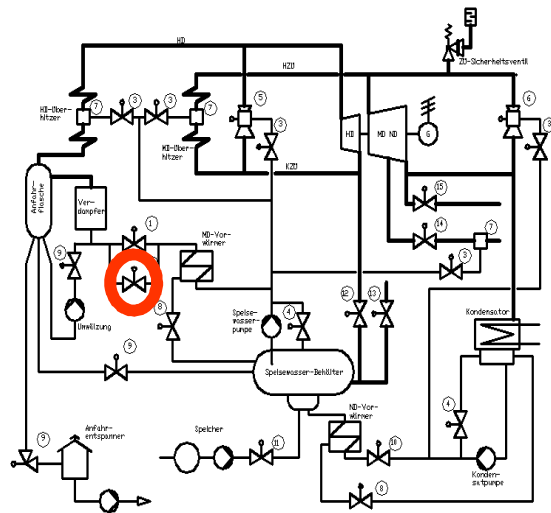
Water steam circuit in energy-supplying enterprises

1. Feed water control valve
2. Start up control valve
3. Feed water injection valve
4. Minimum quantity control valve
5. Steam converting valve
6. Angle valve with downstreamed injection
7. Desuperheater
8. Low pressure drain valve
9. Drain control valve
10. Condensate (level) control valve
11. Drain control valve
12. Steam control valve
13. Steam control valve
- 14./15. Control valve



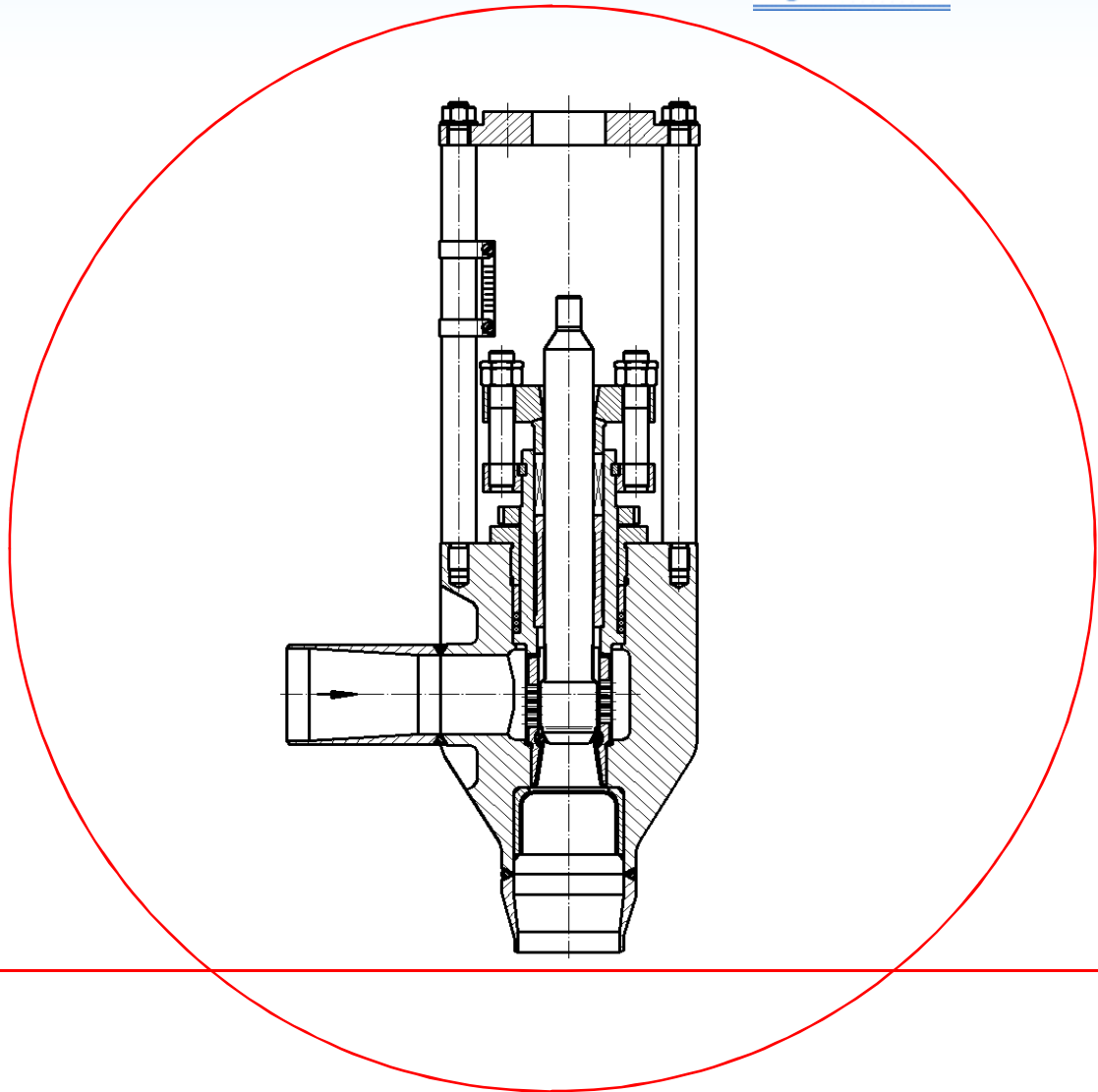
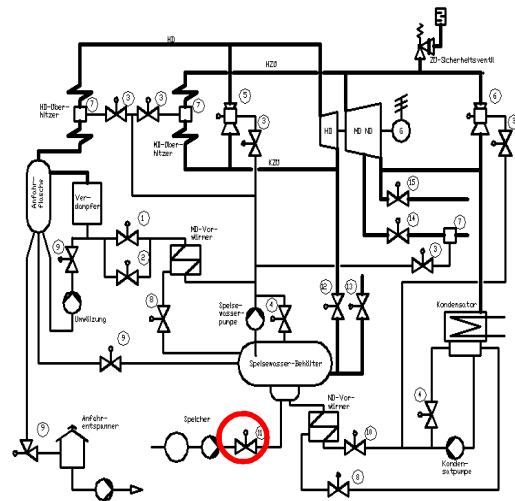
Water steam circuit in energy-supplying enterprises

Start up control valve
type 190 E 70



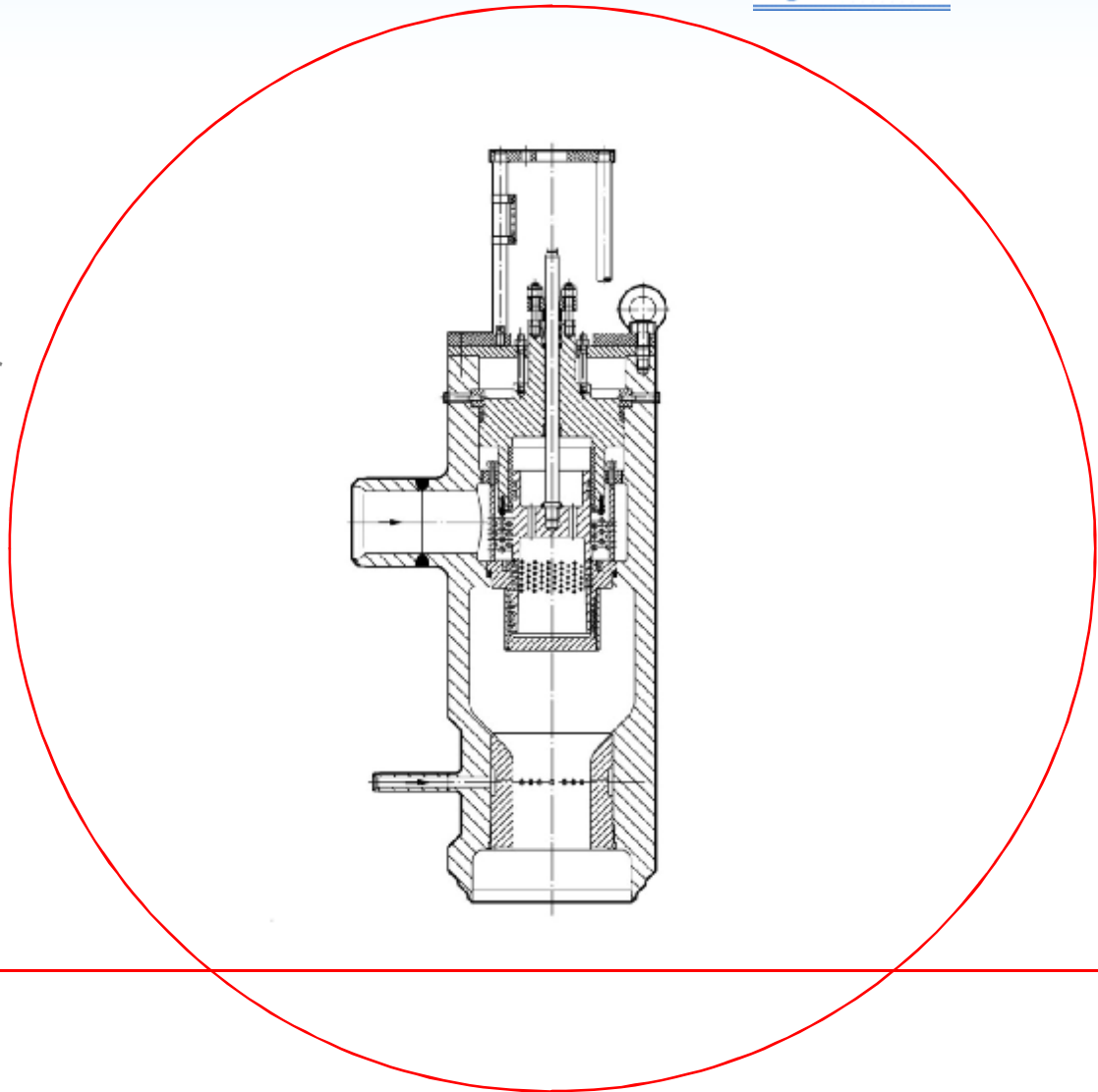
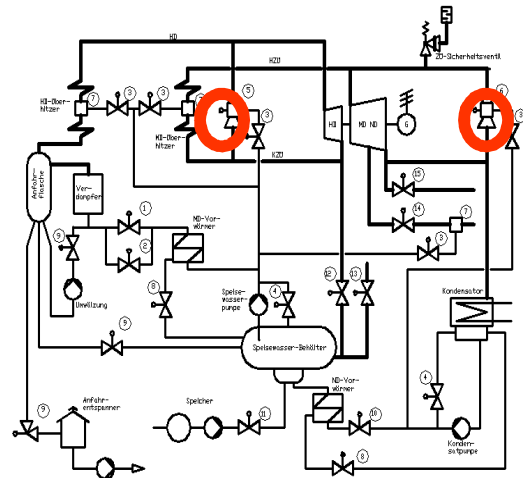
Water steam circuit in energy-supplying enterprises

Drain control valve type 184



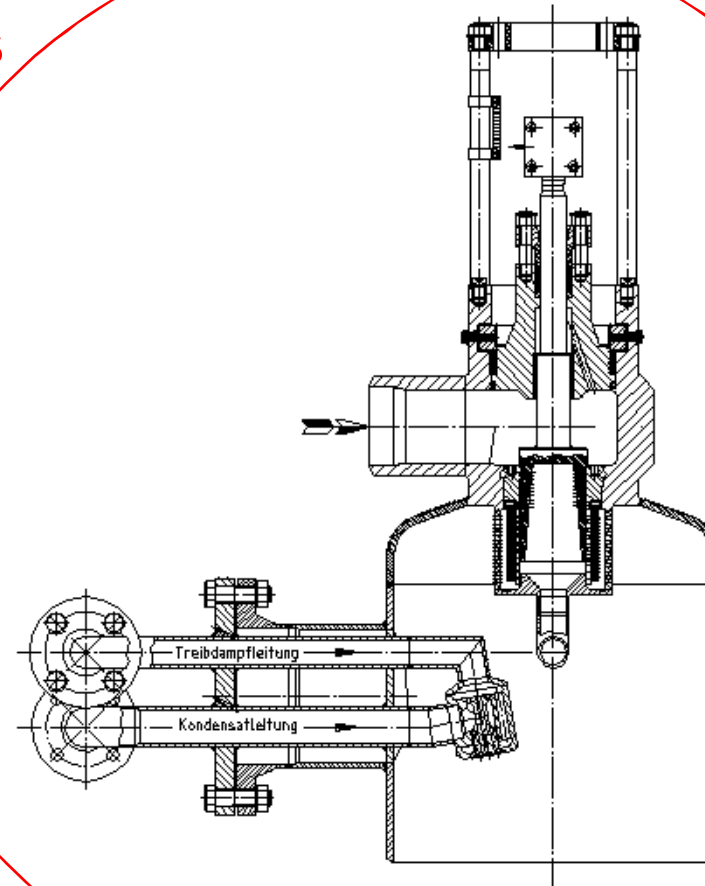
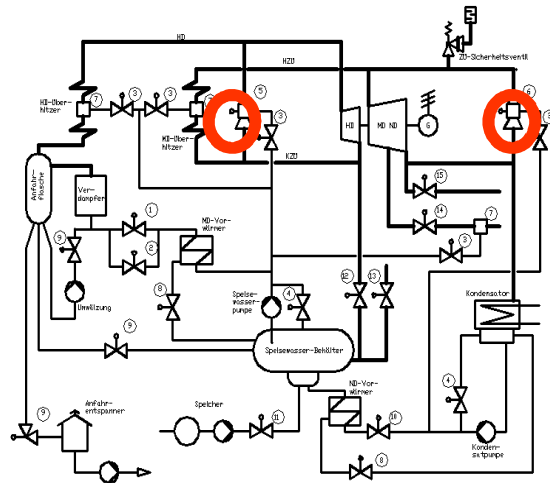
Water steam circuit in energy-supplying enterprises

Steam reduction valve with
downsteamed Venturi desuperheater



Water steam circuit in energy-supplying enterprises

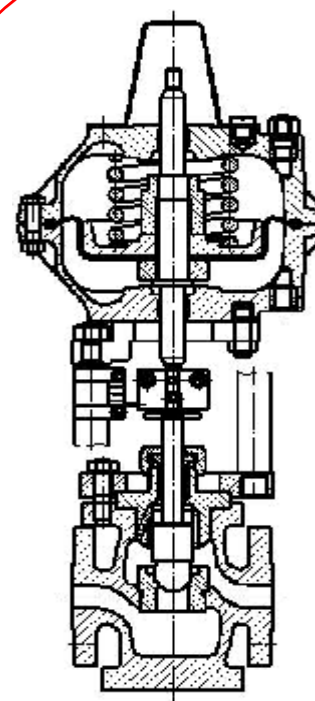
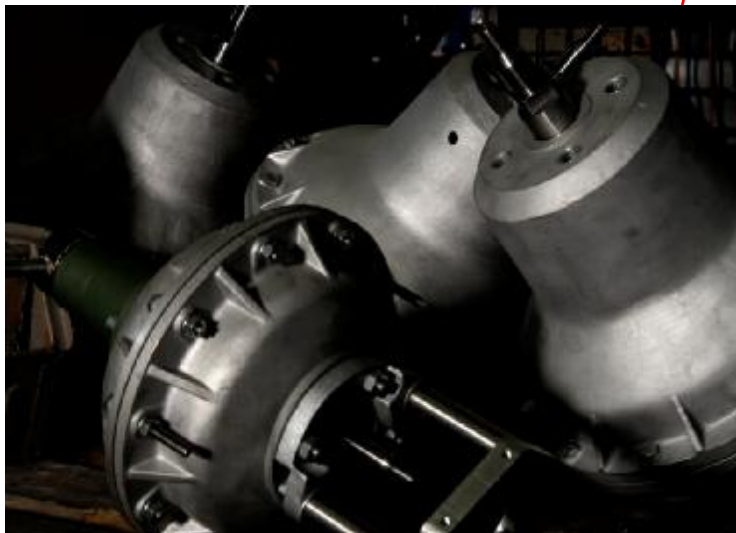
Steam reduction valve with
downstreamed atomizing steam
desuperheater



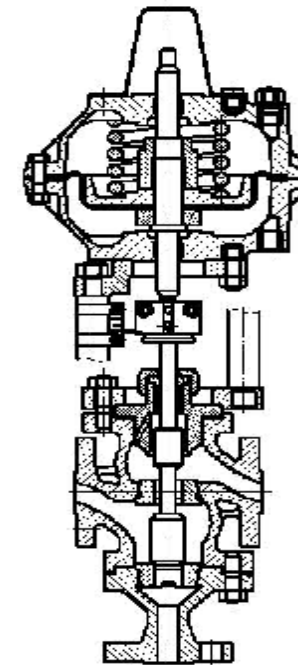
Process technology

Valves

Diaphragm On-Off valve
type 30A-36A



Straight-way-valve

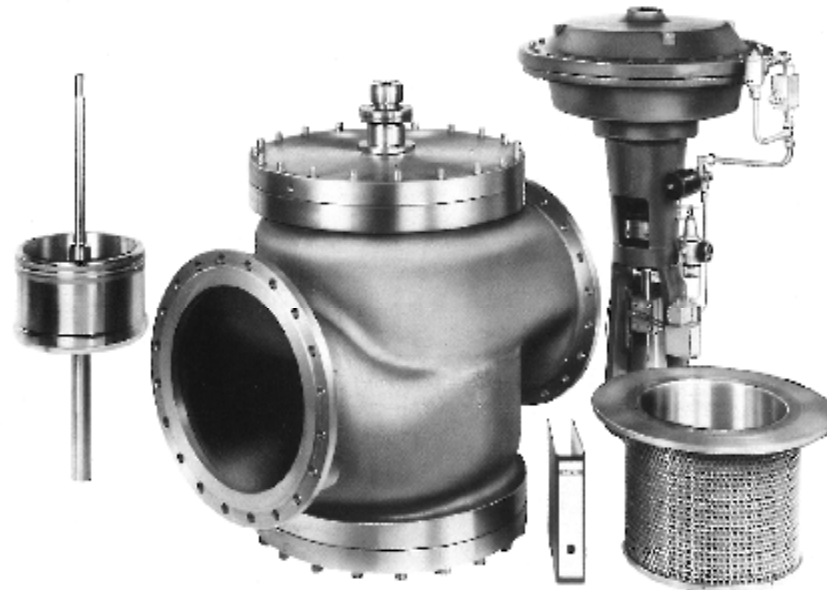
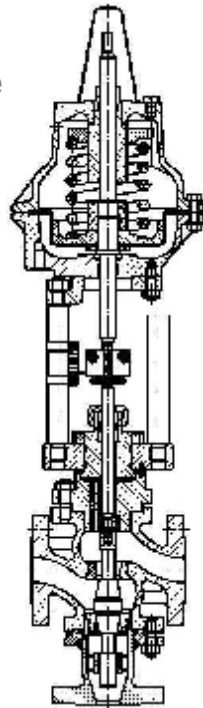


distribution- or
mixing valve

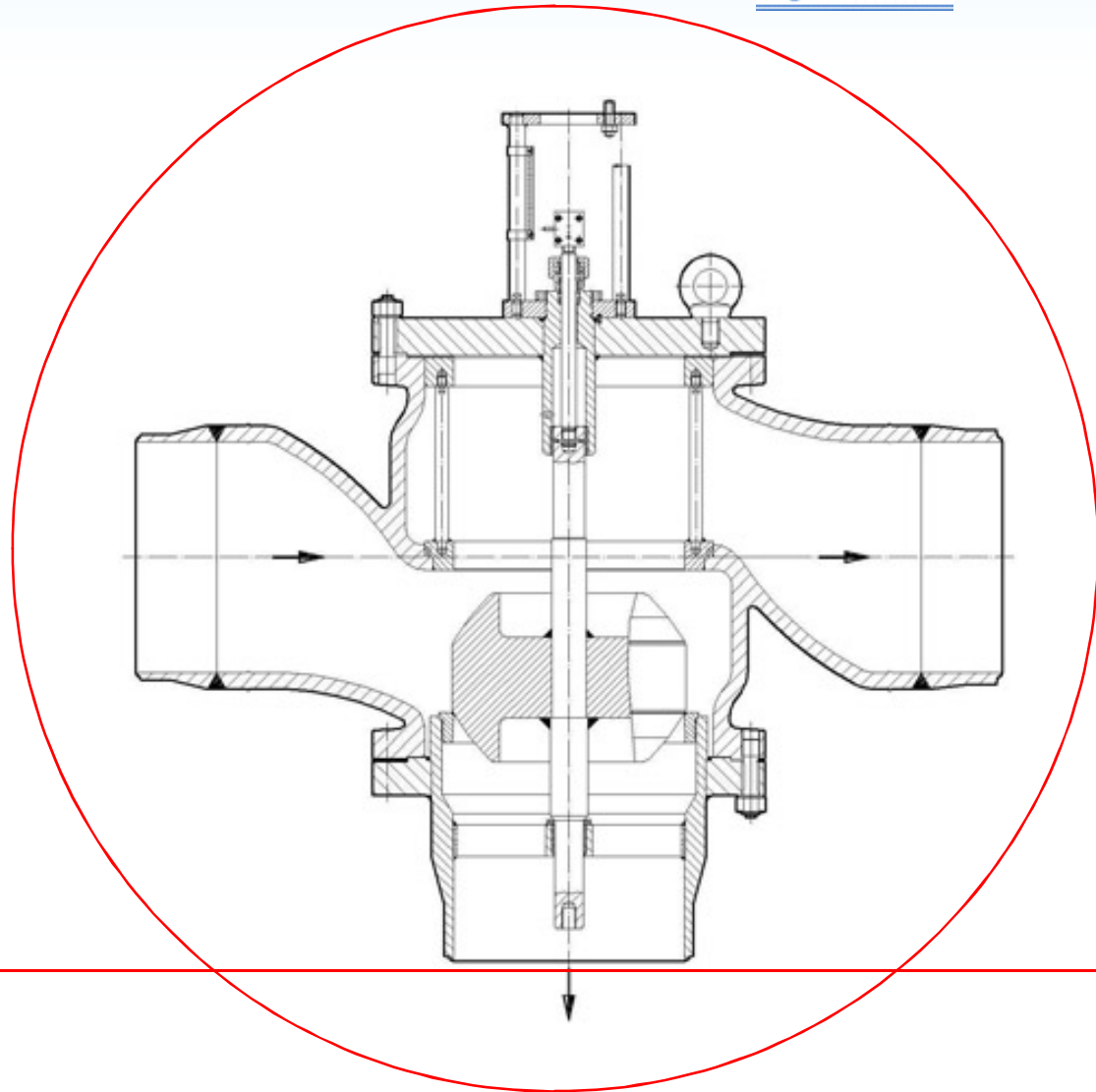
Process technology

Valves

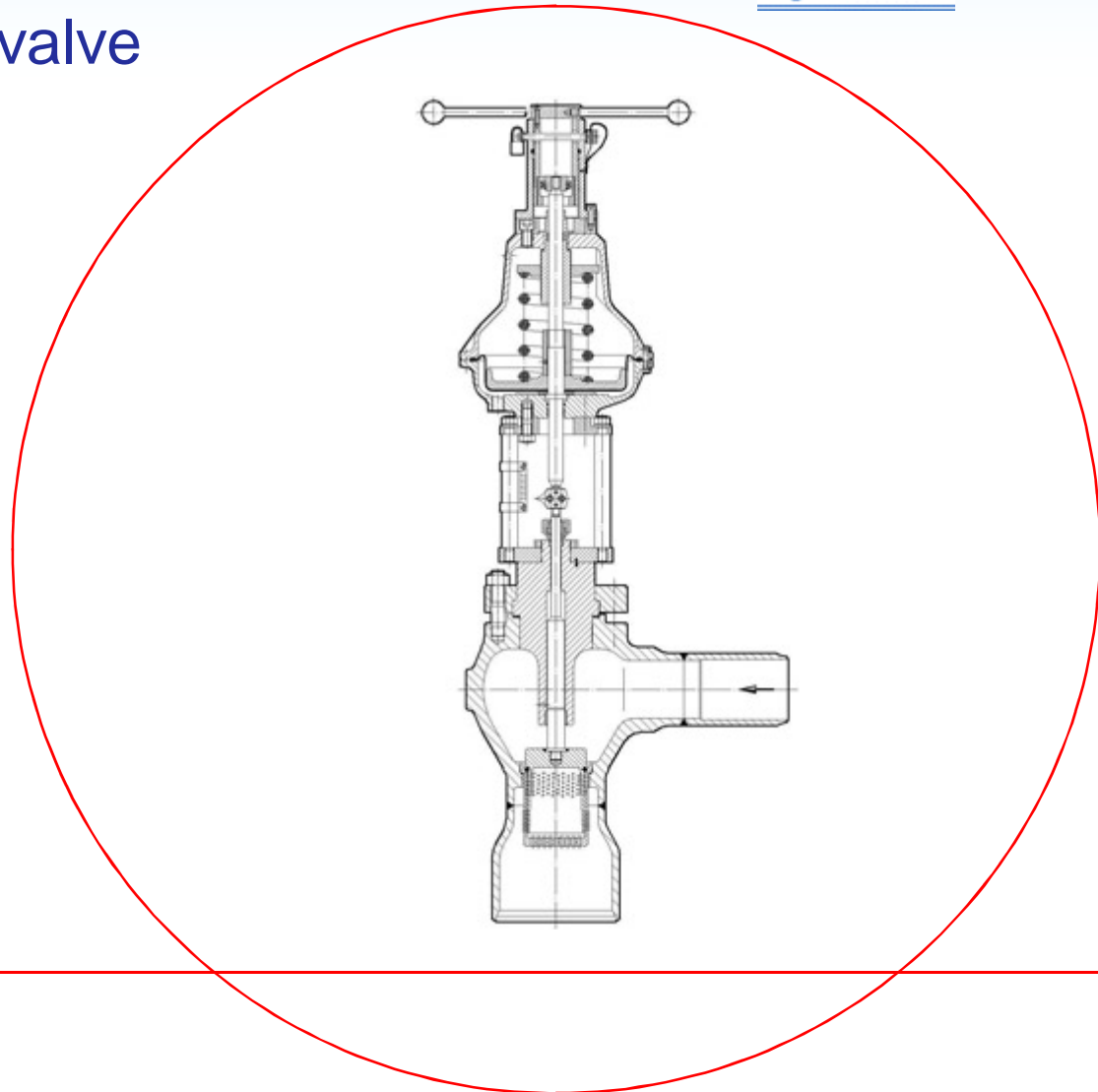
Diaphragm control valve
type 50-1A – 54-1A



3-way-control valve

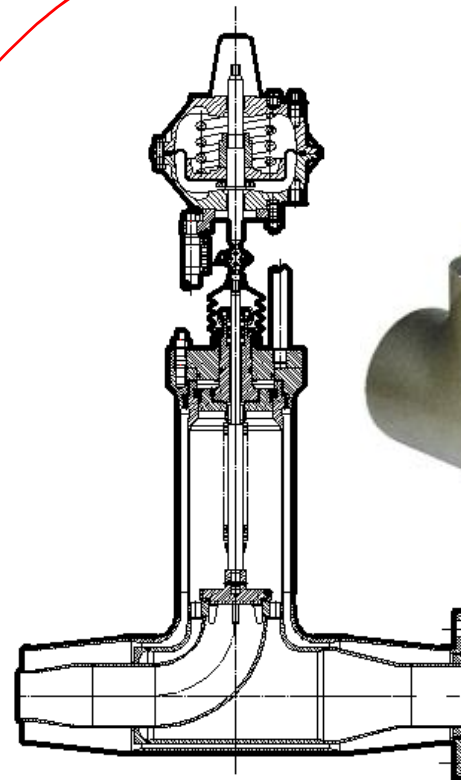


Start-up steam control valve



On-Off valves for environmentally hazardous applications

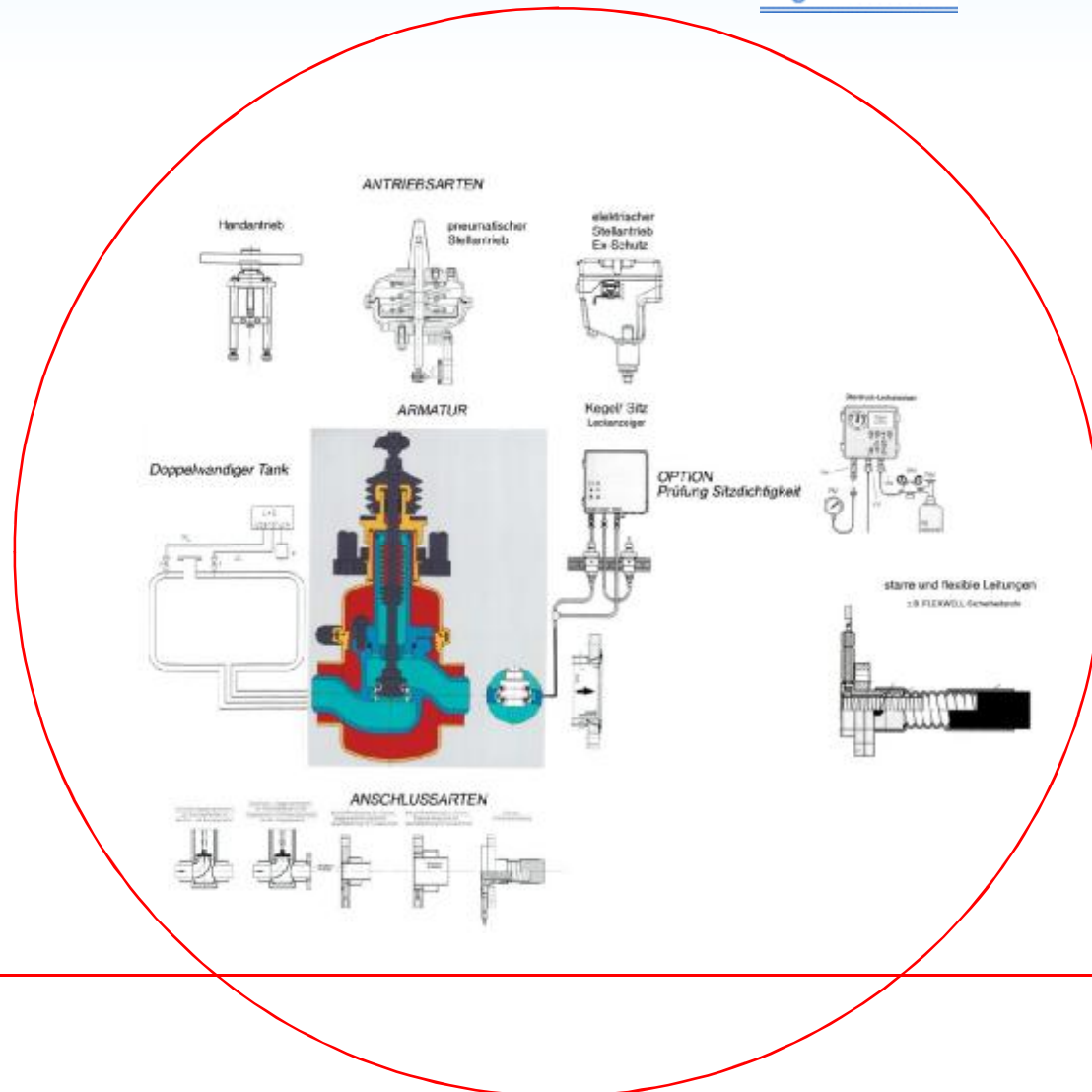
Double walled valve
type 600



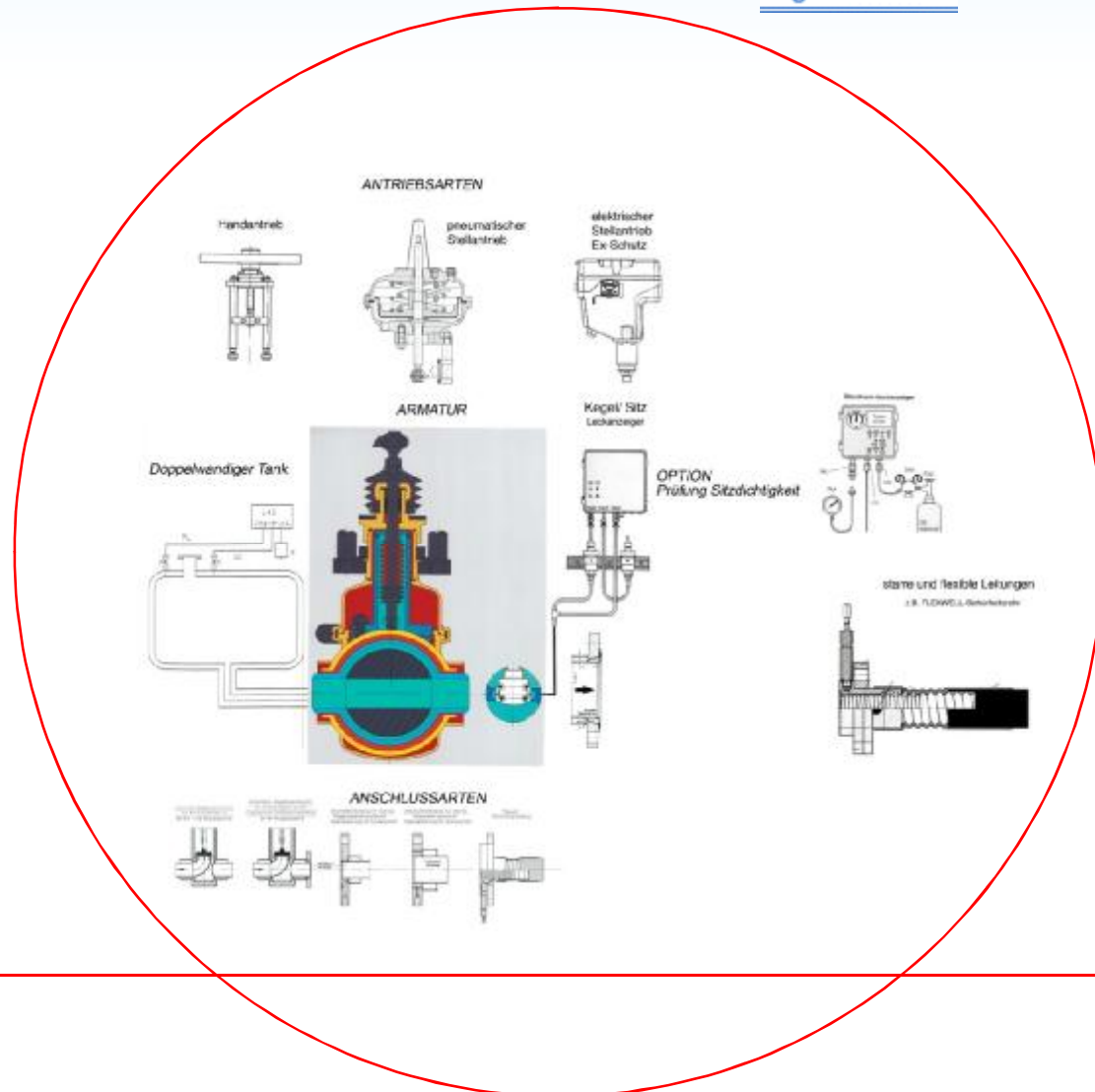
Valve body



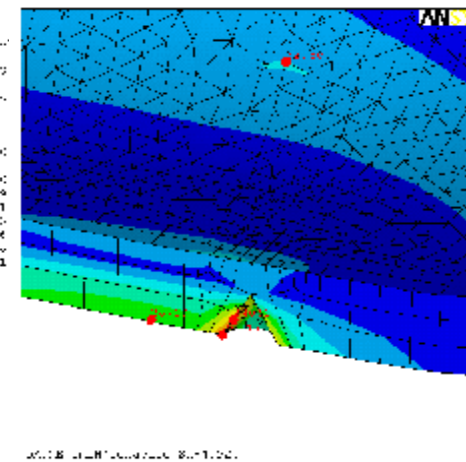
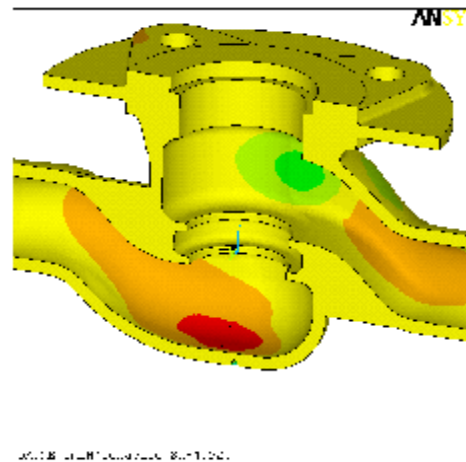
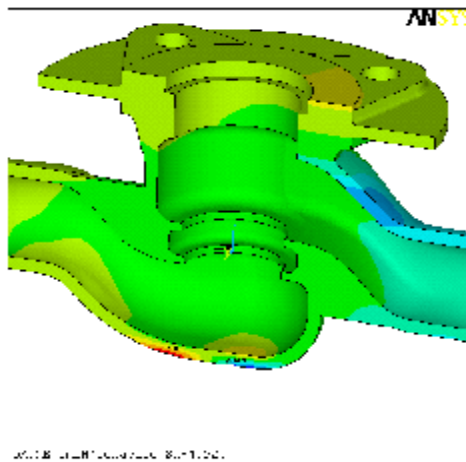
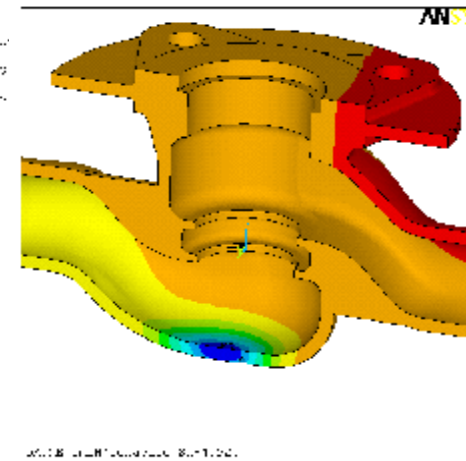
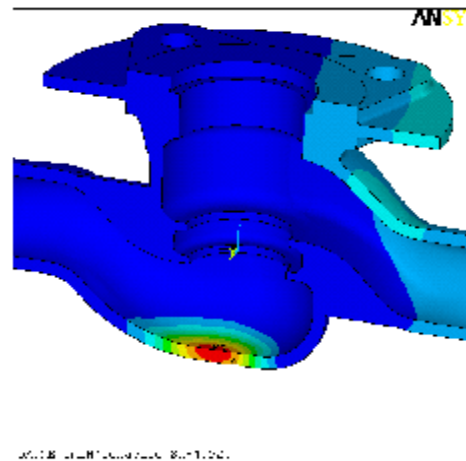
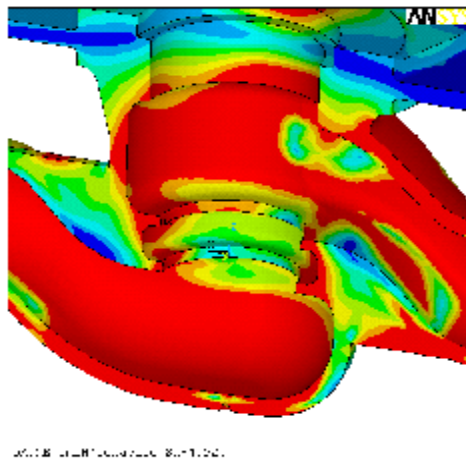
Application area of
Double jacket valve
Typ 600-E



Application area of
Double ball valves
Typ 660-E

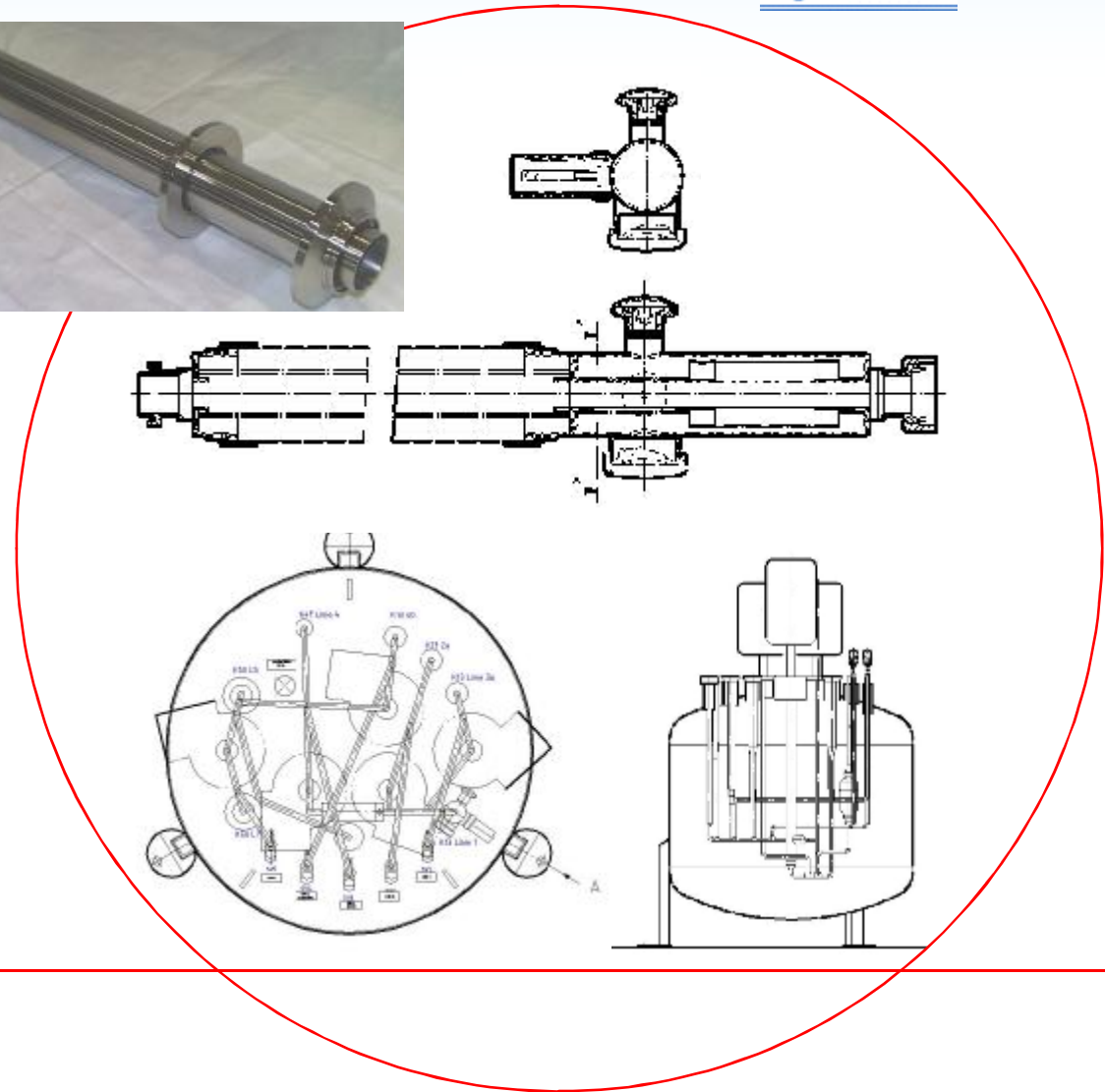


Calculating with Finite Elemente



Cryotechnics Valves and pipes

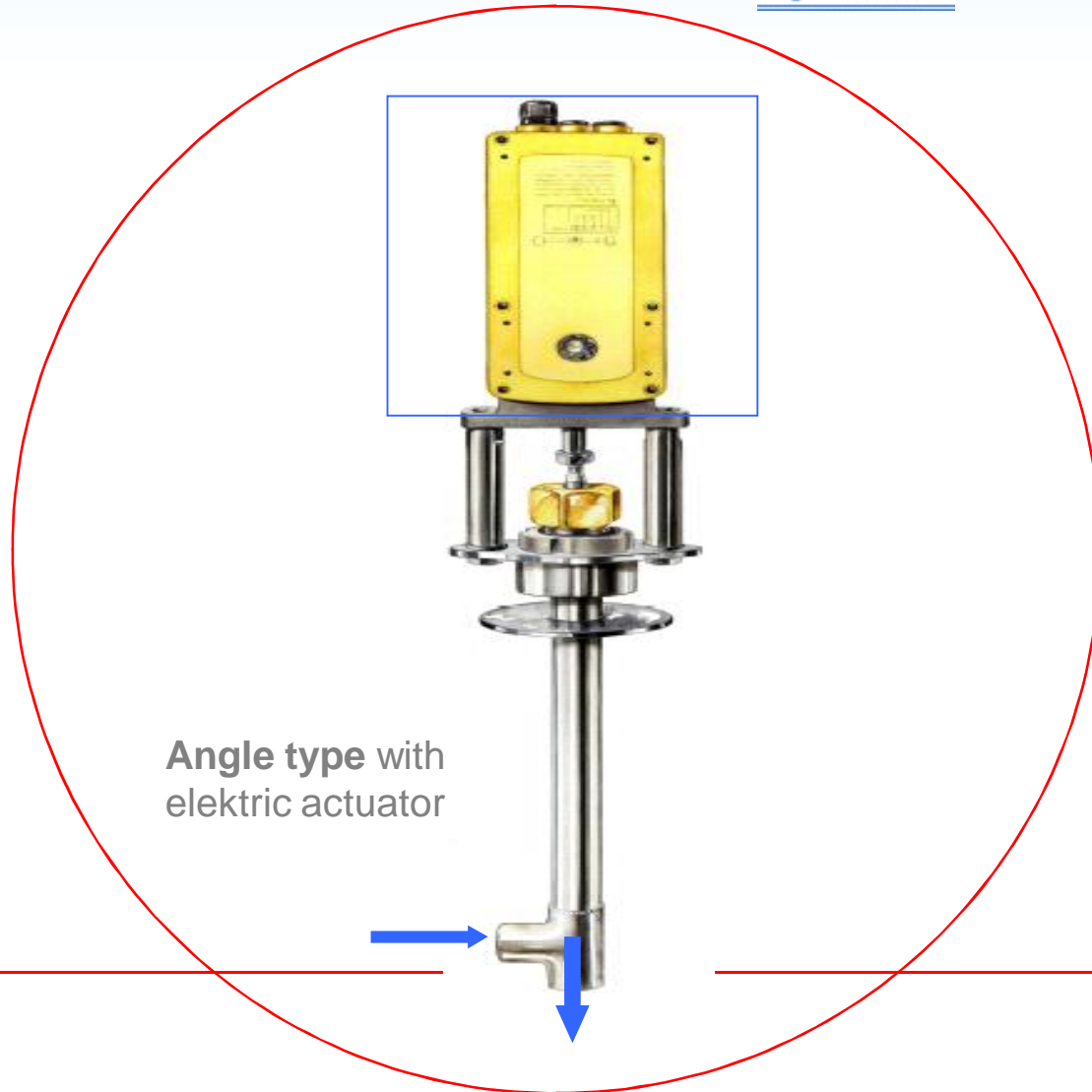
in vacuum isolated coldbox



Cryotechnics Control valves



Straight way with
pneumatic actuator



Angle type with
elektric actuator

Your partners

Contact

Daume Regelarmaturen GmbH

Jathostraße 8


D - 30916 Isernhagen bei Hannover
Deutschland

Phone: +49 511-90214-0

Fax: +49 511-90214-17

mail@daume-regelarmaturen.de

www.daume-regelarmaturen.de



**Dipl.-Ing.
Achim Daume**
General Manager

**Dipl.-Ing.
Britta Daume**
Proxy

**Dr.-Ing.
Elmar Götte**
Distribution

**Dipl.-Ing. (FH)
Björn Carstensen**
Technical advice,
Quality management

**Dipl.-Ing. (FH)
Ralph Zimmermann**
Construction and
development